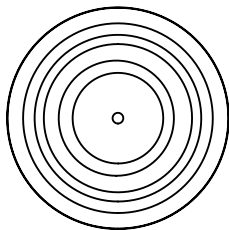
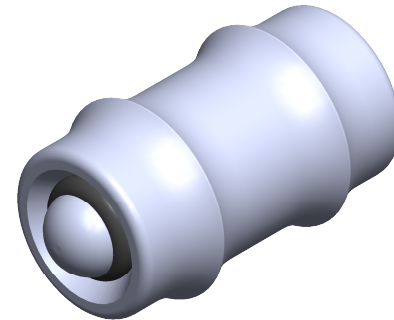
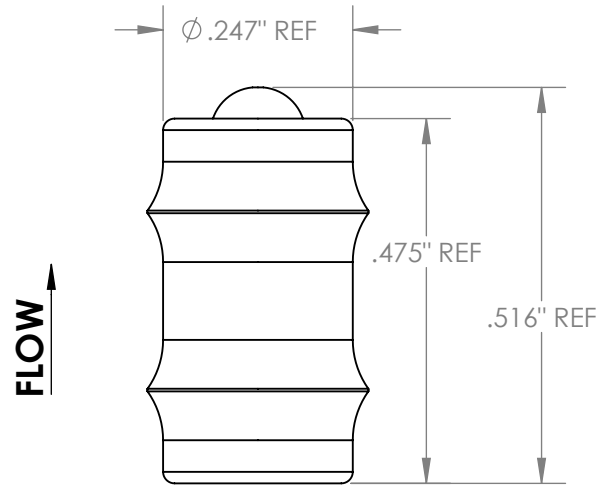


2

1

Contact sales@precisioncheckvalve.com



UNLESS OTHERWISE SPECIFIED:

|           | NAME | DATE |
|-----------|------|------|
| DRAWN     | CTK  |      |
| CHECKED   |      |      |
| ENG APPR. |      |      |
| MFG APPR. |      |      |
| Q.A.      |      |      |

|            |          |                           |  |
|------------|----------|---------------------------|--|
| TITLE:     |          | <b>T250</b>               |  |
| Disc:      |          | 1/4" Inserted check Valve |  |
| SIZE       | DWG. NO. | REV<br><b>A</b>           |  |
| SCALE: 4:1 | WEIGHT:  | SHEET 1 OF 1              |  |

**PROPRIETARY AND CONFIDENTIAL**  
 THE INFORMATION CONTAINED IN THIS DRAWING IS THE SOLE PROPERTY OF Precision Check Valve. ANY REPRODUCTION IN PART OR AS A WHOLE WITHOUT THE WRITTEN PERMISSION OF Precision Check Valve IS PROHIBITED.

|                                      |         |
|--------------------------------------|---------|
| INTERPRET GEOMETRIC TOLERANCING PER: |         |
| MATERIAL:                            |         |
| NEXT ASSY                            | USED ON |
| FINISH                               |         |
| APPLICATION                          |         |
| DO NOT SCALE DRAWING                 |         |



2

1