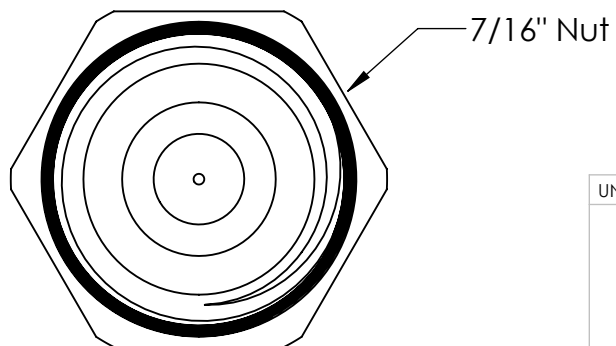
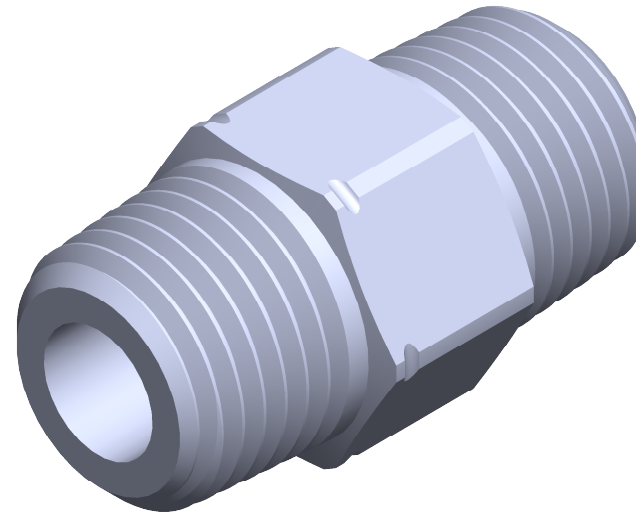
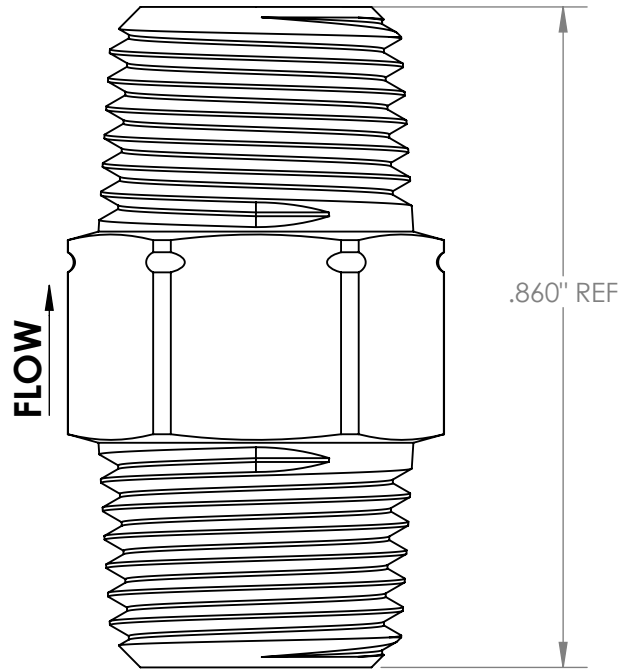


2

1

Contact sales@precisioncheckvalve.com



UNLESS OTHERWISE SPECIFIED:

	NAME	DATE
DRAWN	CTK	
CHECKED		
ENG APPR.		
MFG APPR.		
Q.A.		

TITLE: **P125**
 Disc: **1/8" NPT CheckValve**

PROPRIETARY AND CONFIDENTIAL
 THE INFORMATION CONTAINED IN THIS DRAWING IS THE SOLE PROPERTY OF Precision Check Valve. ANY REPRODUCTION IN PART OR AS A WHOLE WITHOUT THE WRITTEN PERMISSION OF Precision Check Valve IS PROHIBITED.

NEXT ASSY	USED ON	APPLICATION

INTERPRET GEOMETRIC TOLERANCING PER:
 MATERIAL:
 FINISH
 DO NOT SCALE DRAWING



SIZE	DWG. NO.	REV
		A
SCALE: 4:1	WEIGHT:	SHEET 1 OF 1

2

1