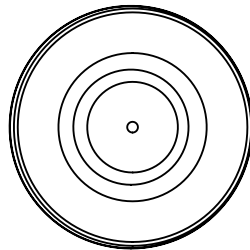
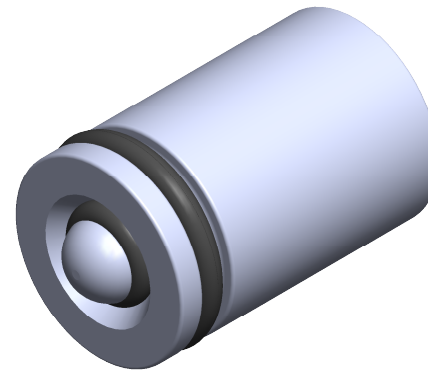
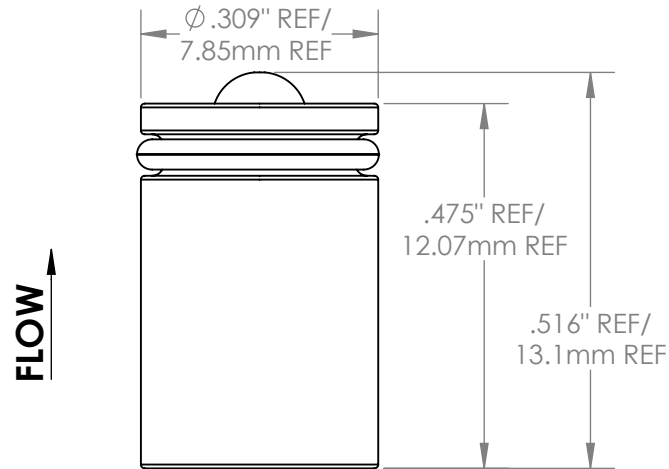


2

1

Contact sales@precisioncheckvalve.com



UNLESS OTHERWISE SPECIFIED:		NAME	DATE	TITLE: G312 and G8M	
		DRAWN	CTK	Disc:	
		CHECKED		5/16" and 8mm Gland Seal Valve	
		ENG APPR.		SIZE	DWG. NO.
		MFG APPR.		REV	
		Q.A.		A	
INTERPRET GEOMETRIC TOLERANCING PER:				SCALE: 4:1	
MATERIAL:				WEIGHT:	
FINISH				SHEET 1 OF 1	
APPLICATION		DO NOT SCALE DRAWING			

PROPRIETARY AND CONFIDENTIAL
 THE INFORMATION CONTAINED IN THIS DRAWING IS THE SOLE PROPERTY OF Precision Check Valve. ANY REPRODUCTION IN PART OR AS A WHOLE WITHOUT THE WRITTEN PERMISSION OF Precision Check Valve IS PROHIBITED.

NEXT ASSY	USED ON
APPLICATION	

2

1

B

B

A

A