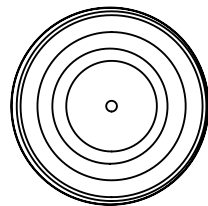
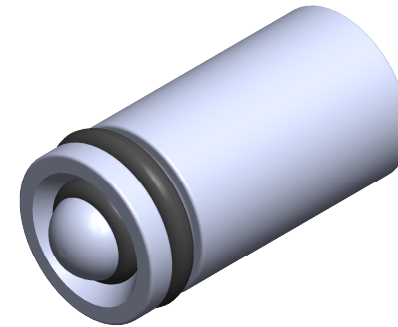
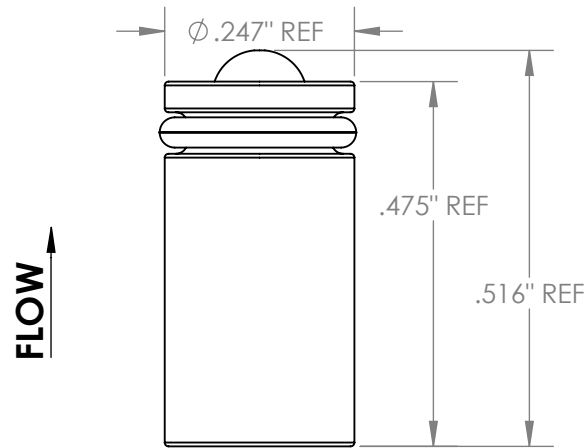


2

1

Contact sales@precisioncheckvalve.com



**PROPRIETARY AND CONFIDENTIAL**  
 THE INFORMATION CONTAINED IN THIS DRAWING IS THE SOLE PROPERTY OF Precision Check Valve. ANY REPRODUCTION IN PART OR AS A WHOLE WITHOUT THE WRITTEN PERMISSION OF Precision Check Valve IS PROHIBITED.

		INTERPRET GEOMETRIC TOLERANCING PER:
		MATERIAL:
NEXT ASSY	USED ON	FINISH
APPLICATION		DO NOT SCALE DRAWING

UNLESS OTHERWISE SPECIFIED:		NAME	DATE
	DRAWN	CTK	
	CHECKED		
	ENG APPR.		
	MFG APPR.		
	Q.A.		

TITLE: <b>G250</b>	
Disc: <b>1/4" Gland Seal Valve</b>	
SIZE	DWG. NO.
SCALE: 4:1	WEIGHT:
REV <b>A</b>	SHEET 1 OF 1



B

B

A

A

2

1